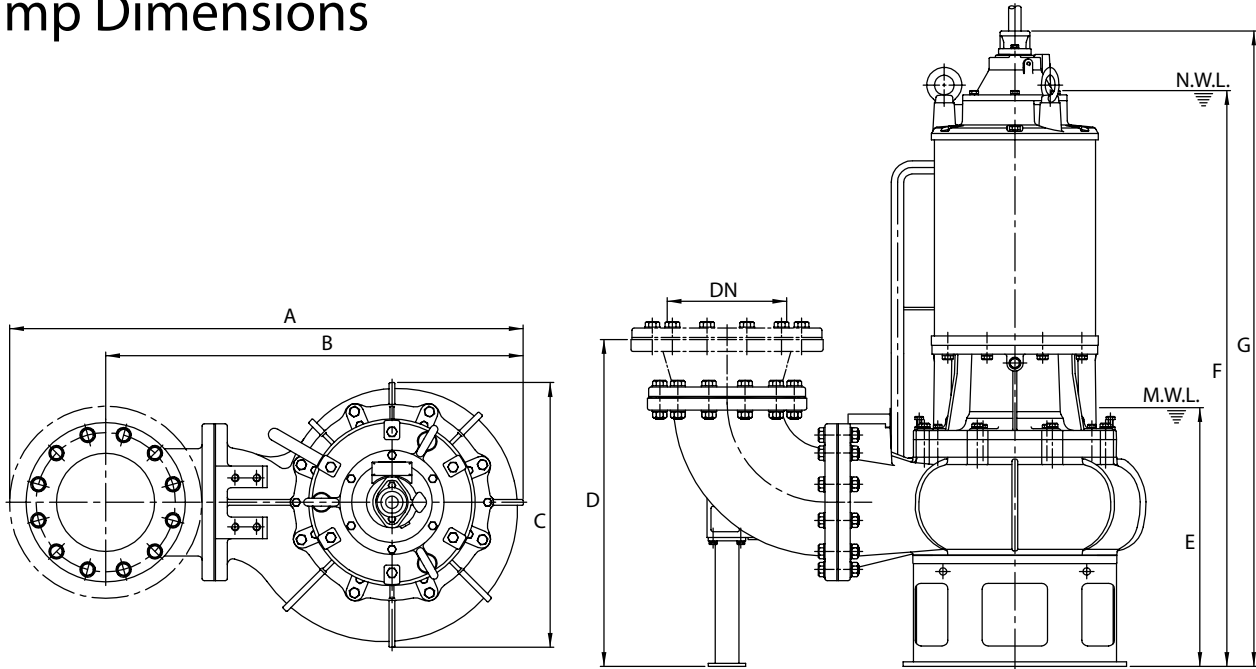


## SNC-12-XX-500

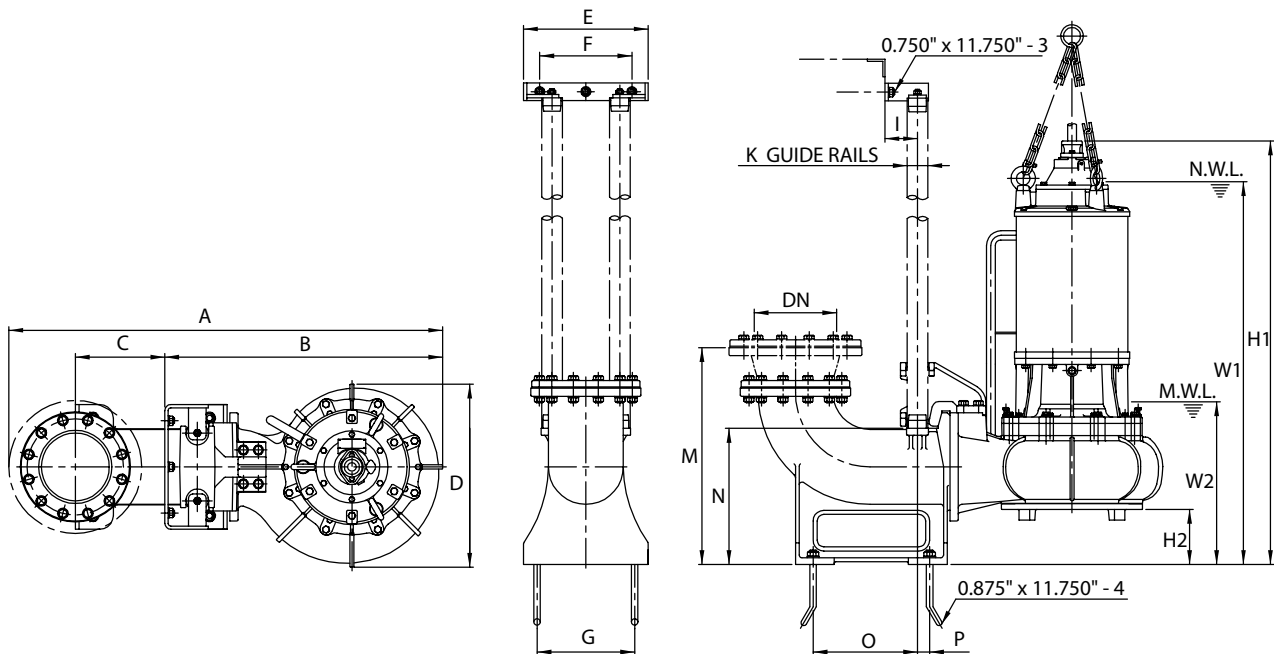
### Pump Dimensions



TYPE	DN	A	B	C	D	E	F	G
SNC-12-XX-500	12	51.13	42.13	26.63	32.88	26.00	-	63.75

N.W.L.: Normal water level  
M.W.L.: Minimum water level

### Easy Lift GRS - Guide Rail System Dimensions



TYPE	DN	A	B	C	D	E	F	G	I	K	M	N	O	P	W1	W2	H1	H2
SNC-12-XX-500	12	63.00	40.38	13.00	26.63	18.13	13.38	14.25	4.75	2.50	31.50	19.75	15.13	1.75	55.63	23.75	61.50	8.00

All dimensions are in inches unless otherwise noted.

SNC-12 models must remove base when using Easy Lift GRS - Guide Rail System.